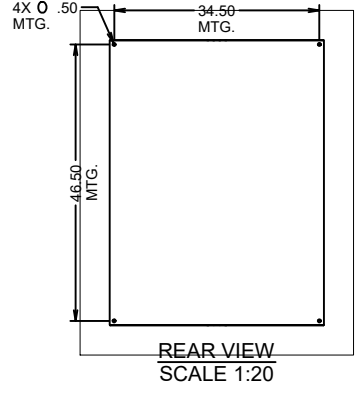
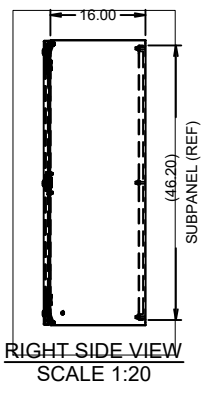
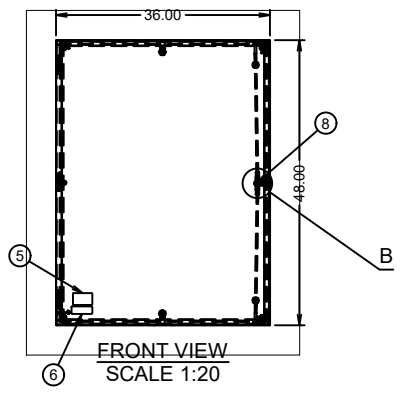
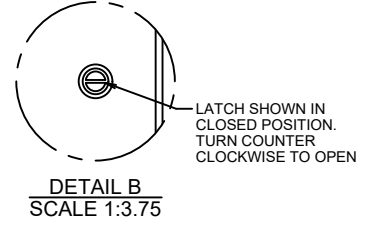
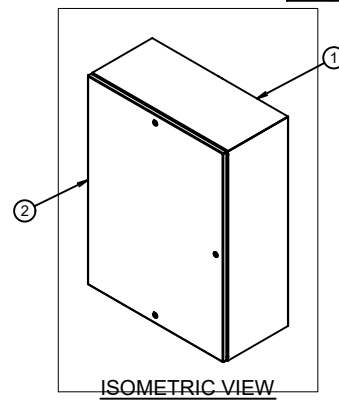
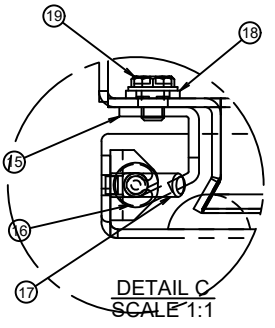
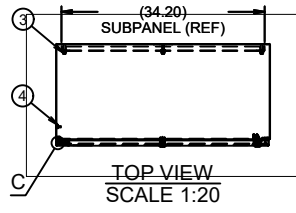


6 5 4 3 2 1

REVISION HISTORY			
REV	DESCRIPTION	DATE	APP



BILL OF MATERIALS			
#	PN	DESC	QTY
1	ES-483616_H_ASM	TUB, WELDMENT	1
2	ES-483616_D1_ASM	DOOR, WELDMENT	1
3	FS-227004	NUT, FLANGE, SERRATED, 3/8-16, ZN	8
4	NKEP004C000STLZN	NUT, KEPS, 1/4-20	2
5	ICP-ES	LABEL, UL	1
6	2662-024	LABEL, MANUFACTURER	1
7*	179P	PRINT POCKET, PLASTIC, PSA	1
8	R002-0100 BLK BLK	LATCH, SLOTTED QT, BLK/BLK	3
9*	1000-28	CAM, H= 1-3/16", DOWN	2
10*	WNSW0060000STLZN	WASHER, 3/8 x 3/4" OD SEALING	4
11	T049-U9M	LATCH ROD, W/ROLLERS 1200MM(47.25")	2
12	1001-U11	GUIDE, LATCH ROD, POLYAMIDE, FOR M6X16 STUD	2
13	800-00001	FOAM-IN-PLACE GASKET MATERIAL	1
14	1000-U33 ASB	CAM ASSEMBLY, 3 PT, 30MM OFFSET	1
15	HI-MDMS-140130-BASE	Hinge Base for HI-MDMS-140130, MS Zinc Plated	3
16	HI-MD-140130-CLIP	Hinge Clip for HI-MDMS-140130, Red Plastic	3
17	HI-MDMS-140130-PIN	Hinge Pin for HI-MDMS-140130, MS Zinc Plated	3
18	91755A220	RING, RETAINER 1/4" WHITE NYLON	6
19	90316A837	SCREW, 10-32 X 1/4" SS FLANGED HEX HEAD W/ LOCTITE PATCH	6

SUBPANEL(S) SHOWN FOR REFERENCE ONLY

DIMENSIONS APPLY BEFORE SURFACE TREATMENT		NAME	DATE	CUSTOMER:
TOLERANCES UNLESS OTHERWISE SPECIFIED		DRAWN BY:	J EVANS	5/14/2014
0.xxx	± 0.010	<p><b>Schaefer's</b> ELECTRICAL 4680 NASH ROAD SCOTT CITY, MO 63780 PH: (673) 986-9400 FAX: (673) 986-9499 WEB PAGE: electrical-endsource.com</p>		
0.xx	± 0.06			
0.x	± 0.1			
x	± 0.25			
x.x"	1"			

TITLE:	
TYPE 4, 12, 13 SINGLE DOOR WALL MOUNT	
<b>B</b> WEIGHT:	189.275 lbm
FILE:	ES-483616
CUST. DWG. -	REV: 1
SHEET 1 OF 2	

NOTES:  
1. SEALING WASHERS PROVIDED FOR MOUNTING.  
2. PLASTIC PRINT POCKET SHIPPED LOOSE.

6 5 4 3 2 1