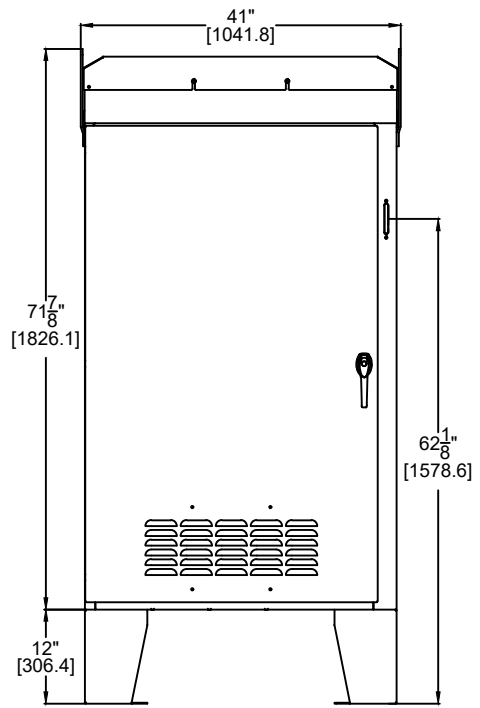
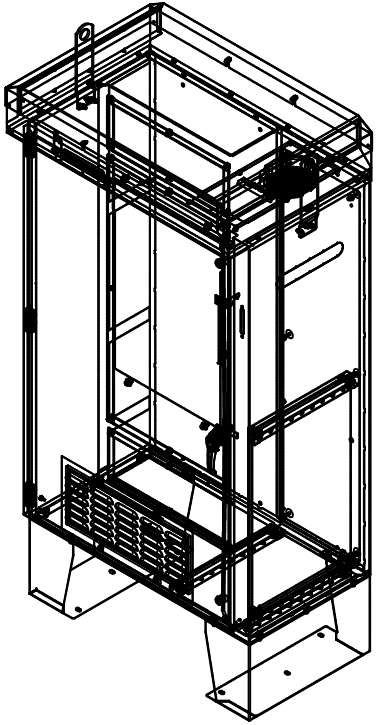
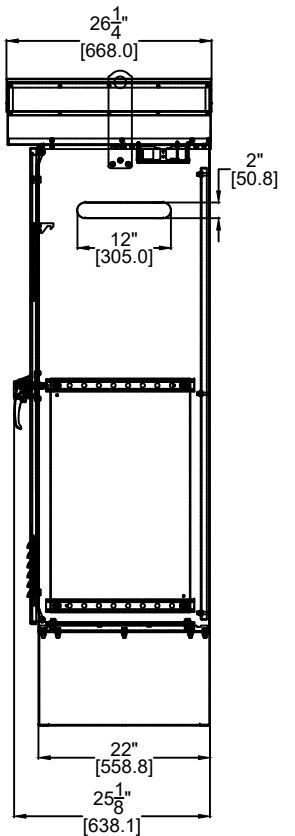


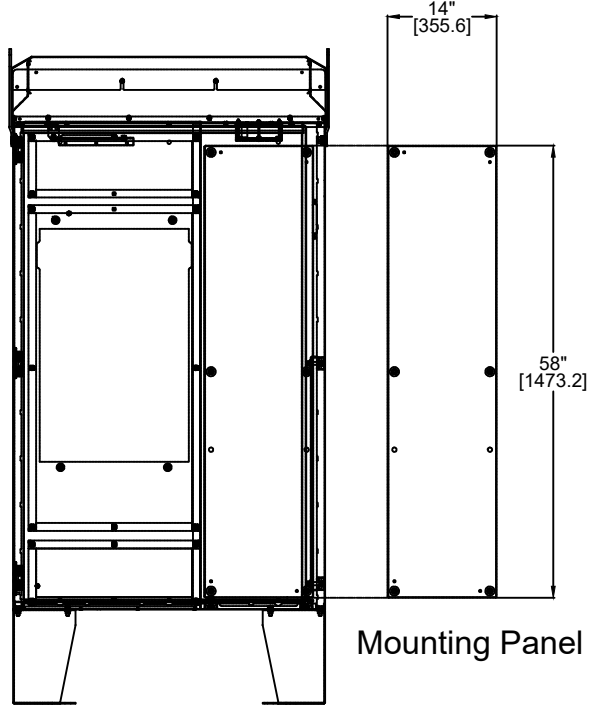
CONFIDENTIAL



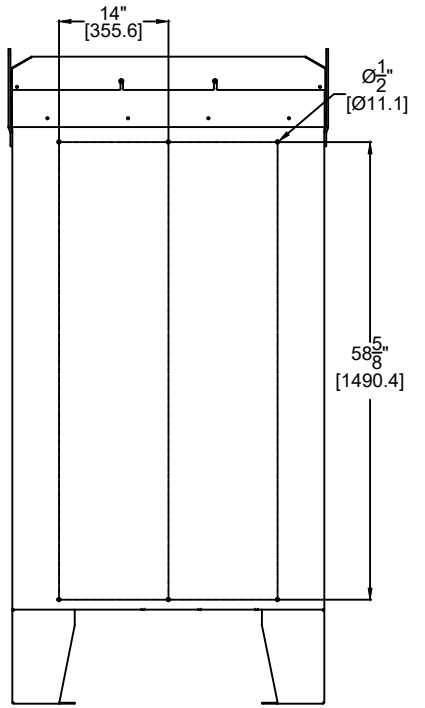
Front View



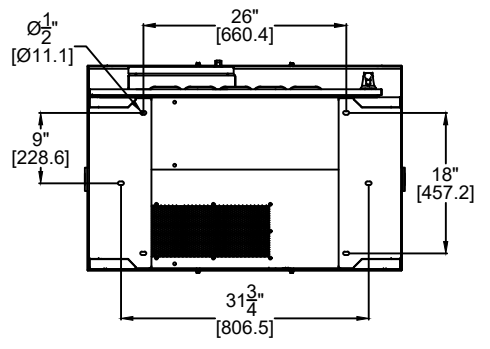
Side View



Inside View



Back View  
Wall mount dimensions



Bottom View  
Leg stand dimensions

NAE MOTOR CONTROLS  
350 VAIDEN RD.  
HERNANDO, MS 38632



ENC3R-SPHCDS-65X4022-SE1 LAYOUT DIAGRAM		DATE 05/09/2023	SERIAL NUMBER
SCALE NONE	DRAWN BY MRP	DRAWING NO. CP1-L-01	
CUSTOMER INTEGRATOR KITS			

REV.	DATE	DR.	CK.	DESCRIPTION
A				FIRST ISSUE